

# Dimension Sheet for Limit Switch Type 055.012.6 (Contactless, with Mounting Flange)

(M.0550126.GB)

## Application

The inductive proximity switch monitors and detects operating conditions on EAS overload clutches. Axial movements caused by overload or switching procedures are registered by the proximity switch. The signal can be used for further process controlling e.g. for drive switch-off.

## Function

When the overload clutch disengages, the inductive proximity switch converts from a damped to an undamped condition and the signal level on the output (2) changes from the input voltage value to 0V.

## Electrical Connection

1	L+	BN (brown)
2	NO Contact	BK (black)
3	L-	BU (blue)

## Technical Data

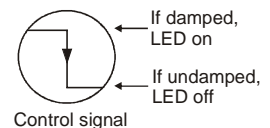
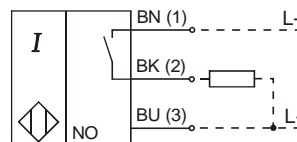
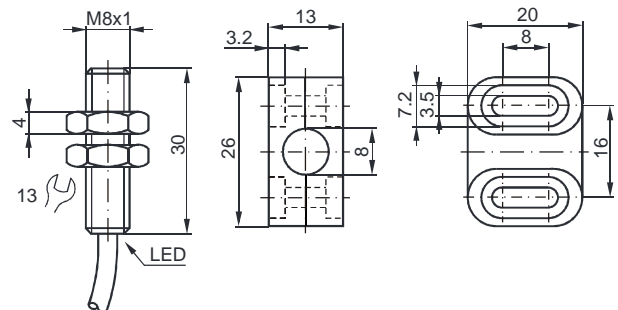
Identification Code	NBB1,5-8GM30-E2-Y
Size	M8 x 1
Type	Rustproof stainless steel
Input voltage	10-30 VDC PELV
No-load supply current	≤15 mA
Power capacity	100 mA
Frequency of operating cycles	Max. 3000 Hz
Contact type	PNP-NO contact
Operating distance $s_n$	1.5 mm, flush installation
Assured operating distance $s_a$	1.2 mm
Characteristics	Inverse polarity protection Clocking short circuit protection Switching condition indicator via LED
Connection type	Cable 3 m / PUR
Connection cross-section	0.14 mm <sup>2</sup>
Tightening torque	10 Nm
Ambient temperature	-25 °C up to +70 °C
Protection	IP 67
Accessories	Mounting flange

## Order Example

To be stated on order:	Type	Connection voltage
Order number	055.012.6	10-30 VDC



## Dimensions (mm)



## Installation:

