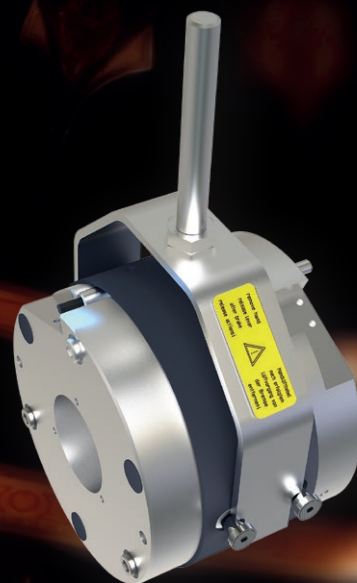




your reliable partner

Safe brakes for powerful emotions



ROBA-stop[®]-stage

**Dual Circuit Braking -
without double the torque**

Stage brakes ROBA-stop®-stage

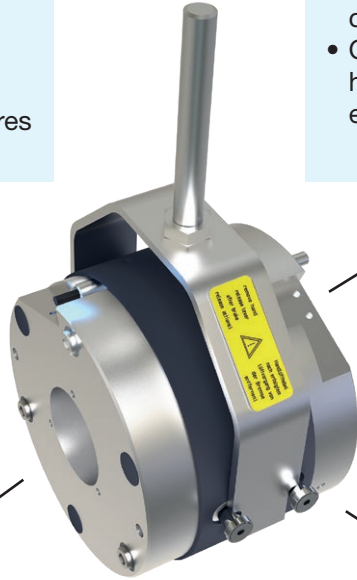
100% Safety – 100% Brake Torque

Double safety, single load

- Redundancy through two individual brake circuits
- Braking torque is not doubled
- Reduces loads on supporting structures

Plug-in hand release

- Easy and fast opening of both brake circuits in an emergency
- Operation takes place without hand release. This ensures safety and excludes operating errors



Plug-and-play solution

- Completely assembled and adjusted ready for use
- Simple and quick installation and application
- Adjustment errors are prevented, thus the highest possible safety is guaranteed

Intelligent design

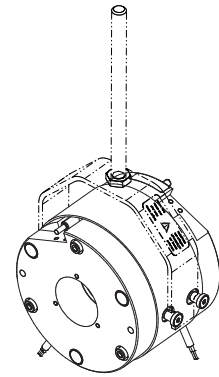
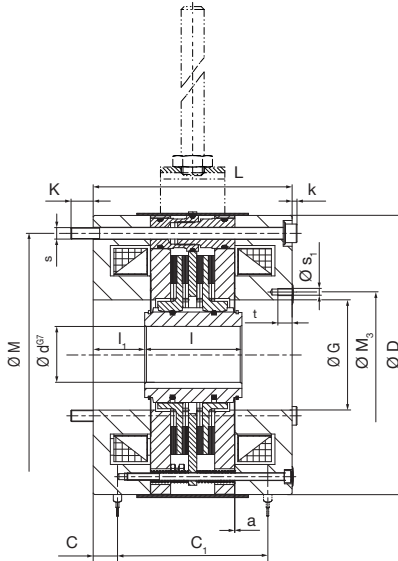
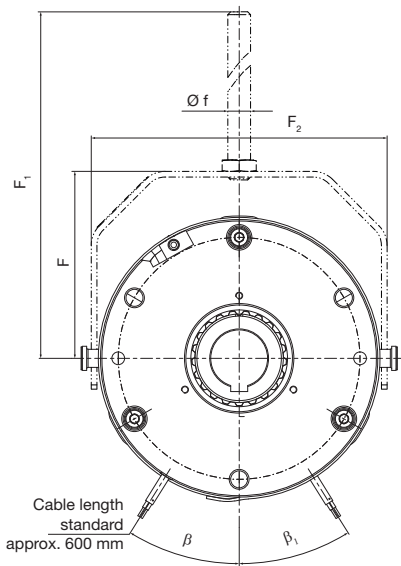
- Low-noise operation
- Compact dimensions
- Maintenance-free
- Certified by TÜV Süd (Southern German Technical Inspectorate)
- meet all safety requirements according to DIN EN 17206

Technical Data			Size	8	16	32	64	100	200
Braking torque	maximum	M_N	[Nm]	16	32	64	120	200	365
	reduced		[Nm]	13	28	58	100	180	310
	minimum		[Nm]	10	24	52	80	160	260
Maximum speed ¹⁾		n_{max}	[1/min]	5000	5000	5000	4700	4100	3400
Weight			[kg]	4,55	6,87	10,43	15,28	20,6	30,95
Nominal air gap		a	[mm]	0,5 ^{+0,05}	0,5 ^{+0,05}	0,5 ^{+0,05}	0,5 ^{+0,05}	0,5 ^{+0,05}	0,5 ^{+0,05}
Electrical power	Nominal voltage ²⁾ $U_N = 207\text{ V}$	P_{20}	[W]	2 x 35	2 x 33	2 x 45	2 x 55	2 x 63	2 x 78
	Nominal voltage ²⁾ $U_N = 24\text{ V}$	P_{20}	[W]	2 x 36	2 x 28	2 x 41	2 x 50	2 x 58	2 x 76

1) Percentage reduction of the braking torque dependent on the speed see below table "Graduation of the Nominal Braking Torque".

2) We recommend connection via smoothed DC voltage or using a mayr®-bridge rectifier.

Graduation of the Nominal Braking Torque [%]		Size	8	16	32	64	100	200
Percentage reduction of the braking torque dependent on the speed		[%]	100	100	100	100	100	100
	up to speed	[rpm]	2500	2000	1600	2000	1800	1500
		[%]	85	85	85	80	80	80
	up to speed	[rpm]	3600	2800	2400	3000	2500	2200
		[%]	-	-	70	70	70	70
	up to speed	[rpm]	-	-	3400	3200	2800	2400
		[%]	70	70	60	60	60	60
	up to speed	[rpm]	5000	5000	5000	4700	4100	3400



If required, the hand release bracket must be ordered separately in the required quantity.

Dimensions Size	8	16	32	64	100	200
D ⁷⁾	108	130	153	168	195	223
d ⁸⁾	15	20	25	30	40	45
d _{min}	9	14	15	18	20	25
d _{max}	20 ¹⁾	23 ²⁾	30 ³⁾	34 ⁴⁾	46 ⁵⁾	50 ⁶⁾
F	73	89	98	111	129	149
F ₁	248	263	272	335	353	443
F ₂	120	142	165	180	208	236
f	12	12	12	16	16	16
G	36	45	52	60	77	84
K	10	11	12	12	15.5	17
k	1.2	2.6	1	3.4	3.4	6
L	93.8	102.8	113.2	132.4	139.1	157
l	35	45	55	65	68	80
l ₁	29.5	29	29	34	36	38.5
M	90	112	132	145	170	196
M ₃	41	52	61	75	88	100
s	3 x M5	3 x M6	3 x M6	3 x M8	3 x M8	3 x M10
s ₁	3 x M4	3 x M4	3 x M5	3 x M5	3 x M5	3 x M6
t	10	10	10	10	10	10
β[°]	30	30	30	32	32	32
β ₁ [°]	30	30	30	32	32	32
C	12.5	12	16	16	17	21
C ₁	68.8	78.8	81.2	100.4	105.1	115

- 1) Over Ø 17 keyway acc. DIN 6885/3
- 2) Over Ø 22 keyway acc. DIN 6885/3
- 3) Over Ø 29 keyway acc. DIN 6885/3
- 4) Over Ø 32 keyway acc. DIN 6885/3
- 5) Over Ø 44 keyway acc. DIN 6885/3
- 6) Over Ø 48 keyway acc. DIN 6885/3
- 7) Without cover
- 8) Preferred bore

We reserve the right to make dimensional and constructional alterations.

Hand Release Bracket Assembly	
Size	Article number
8	8285166
16	8284390
32	8283754
64	8284452
100	8285272
200	8284513

Order number

Braking torque		with cover		Coil nominal voltage U _N [VDC]	
maximum	0	1		24	
reduced	1	1 with hub		207	
minimum	2				
<div style="display: flex; justify-content: space-around; align-items: center;"> — / 8 0 7 0 . — 1 1 — 1 / — / — / — </div>					
Size 8 to 200	prepared for hand release ¹⁾ 1			Hub bore Ø d ^{G7}	Keyway acc. DIN 6885/1 or 6885/3 tolerance JS9
	with release monitoring ²⁾ 1				
	with release monitoring ²⁾ and wear monitoring 3				

Example: 32 / 8070.01131 / 207 / 25 / 6885/1

- 1) As standard, prepared for hand release. If required, the hand release bracket must be ordered separately in the required quantity.
- 2) Prerequisite for stage approval

Headquarters

Chr. Mayr GmbH + Co. KG
Eichenstraße 1, D-87665 Mauerstetten
Tel.: +49 83 41/8 04-0, Fax: +49 83 41/80 44 21
www.mayr.com, E-Mail: public.mayr@mayr.com



Service Germany/Austria

Baden-Württemberg

Esslinger Straße 7
70771 Leinfelden-Echterdingen
Tel.: 07 11/78 26 26 40
Fax: 07 11/78 26 26 39

Bavaria

Industriestraße 51
82194 Gröbenzell
Tel.: 0 81 42/50 19 808

Chemnitz

Bornaer Straße 205
09114 Chemnitz
Tel.: 03 71/4 74 18 96
Fax: 03 71/4 74 18 95

Franken

Unterer Markt 9
91217 Hersbruck
Tel.: 0 91 51/81 48 64
Fax: 0 91 51/81 62 45

Kamen

Herbert-Wehner-Straße 2
59174 Kamen
Tel.: 0 23 07/24 26 79
Fax: 0 23 07/24 26 74

North

Schiefer Brink 8
32699 Extertal
Tel.: 0 57 54/9 20 77
Fax: 0 57 54/9 20 78

Rhine-Main

Kohlhäuser Str. 3-5
36043 Fulda
Tel.: 06 61/96 21 02 15

Austria

Pummerinplatz 1, TIZ I, A27
4490 St. Florian, Austria
Tel.: 0 72 24/2 20 81-12
Fax: 0 72 24/2 20 81 89

Branch office

China

Mayr Zhangjiagang
Power Transmission Co., Ltd.
Fuxin Road No.1298, Yangshe Town
215637 Zhangjiagang
Tel.: 05 12/58 91-75 67
Fax: 05 12/58 91-75 66
info@mayr-ptc.cn

France

Mayr France S.A.S.
Z.A.L. du Minopole
Rue Nungesser et Coli
62160 Bully-Les-Mines
Tel.: 03.21.72.91.91
Fax: 03.21.29.71.77
contact@mayr.fr

Great Britain

Mayr Transmissions Ltd.
Valley Road, Business Park
Keighley, BD21 4LZ
West Yorkshire
Tel.: 0 15 35/66 39 00
Fax: 0 15 35/66 32 61
sales@mayr.co.uk

Italy

Mayr Italia S.r.l.
Viale Veneto, 3
35020 Saonara (PD)
Tel.: 049/879 10 20
Fax: 049/879 10 22
info@mayr-italia.it

Japan

Mayr Japan LLC
Higano Nihonbashi Building 2F,
1-1-9 Nihonbashi Kakigara-cho,
Chuo-ku Tokyo, 103-0014 Japan
Tel.: 03/35 27-29 00
Fax: 03/35 27-26 61
public.mayr@mayr.co.jp

Singapore

Mayr Transmission (S) PTE Ltd.
No. 8 Boon Lay Way Unit 03-06,
TradeHub 21
Singapore 609964
Tel.: 00 65/65 60 12 30
Fax: 00 65/65 60 10 00
info@mayr.com.sg

Switzerland

Mayr Kupplungen AG
Tobelackerstraße 11
8212 Neuhausen am Rheinfall
Tel.: 0 52/6 74 08 70
Fax: 0 52/6 74 08 75
info@mayr.ch

USA

Mayr Corporation
10 Industrial Avenue
Mahwah
NJ 07430
Tel.: 2 01/4 45-72 10
Fax: 2 01/4 45-80 19
info@mayrcorp.com

Representatives

Australia

Drive Systems Pty Ltd.
8/32 Melverton Drive
Hallam, Victoria 3803
Australien
Tel.: 0 3/97 96 48 00
info@drivesystems.com.au

India

National Engineering
Company (NENCO)
J-225, M.I.D.C.
Bhosari Pune 411026
Tel.: 0 20/27 13 00 29
Fax: 0 20/27 13 02 29
nenco@nenco.org

Netherlands

Groneman BV
Amarilstraat 11
7554 TV Hengelo OV
Tel.: 074/2 55 11 40
Fax: 074/2 55 11 09
aandrijftechnik@groneman.nl

Poland

Wamex Sp. z o.o.
ul. Pozaryskiego, 28
04-703 Warszawa
Tel.: 0 22/6 15 90 80
Fax: 0 22/8 15 61 80
wamex@wamex.com.pl

South Korea

Mayr Korea Co. Ltd.
15, Yeondeok-ro 9beon-gil
Seongsan-gu
51571 Changwon-si
Gyeongsangnam-do. Korea
Tel.: 0 55/2 62-40 24
Fax: 0 55/2 62-40 25
info@mayrkorea.com

Taiwan

German Tech
Component Co., Ltd.
No.10-3, Ln. 358, Sec. 1,
Hemu Rd., Shengang Dist.,
429012 Taichung City
Tel.: +886 (4) 25150566
Fax: +886 (4) 25152413
abby@zfgta.com.tw

Czech Republic

BMC - TECH s.r.o.
Hviezdoslavova 29 b
62700 Brno
Tel.: 05/45 22 60 47
Fax: 05/45 22 60 48
info@bmc-tech.cz

Turkey

Representative Office Turkey
Kucukbakkalkoy Mah.
Brandium Residence R2
Blok D:254
34750 Atasehir - Istanbul, Turkey
Tel.: 02 16/2 32 20 44
Fax: 02 16/5 04 41 72
info@mayr.com.tr

More representatives:

Belgium, Brazil, Canada, Colombia, Croatia, Denmark, Finland, Greece, Hongkong, Hungary, Indonesia, Israel, Luxembourg, Malaysia, Mexico, New Zealand, Norway, Philippines, Portugal, Romania, Russia, Slovakia, Slovenia, South Africa, Spain, Sweden, Thailand

You can find the complete contact details for the representative responsible for your area in the Contact section at www.mayr.com

